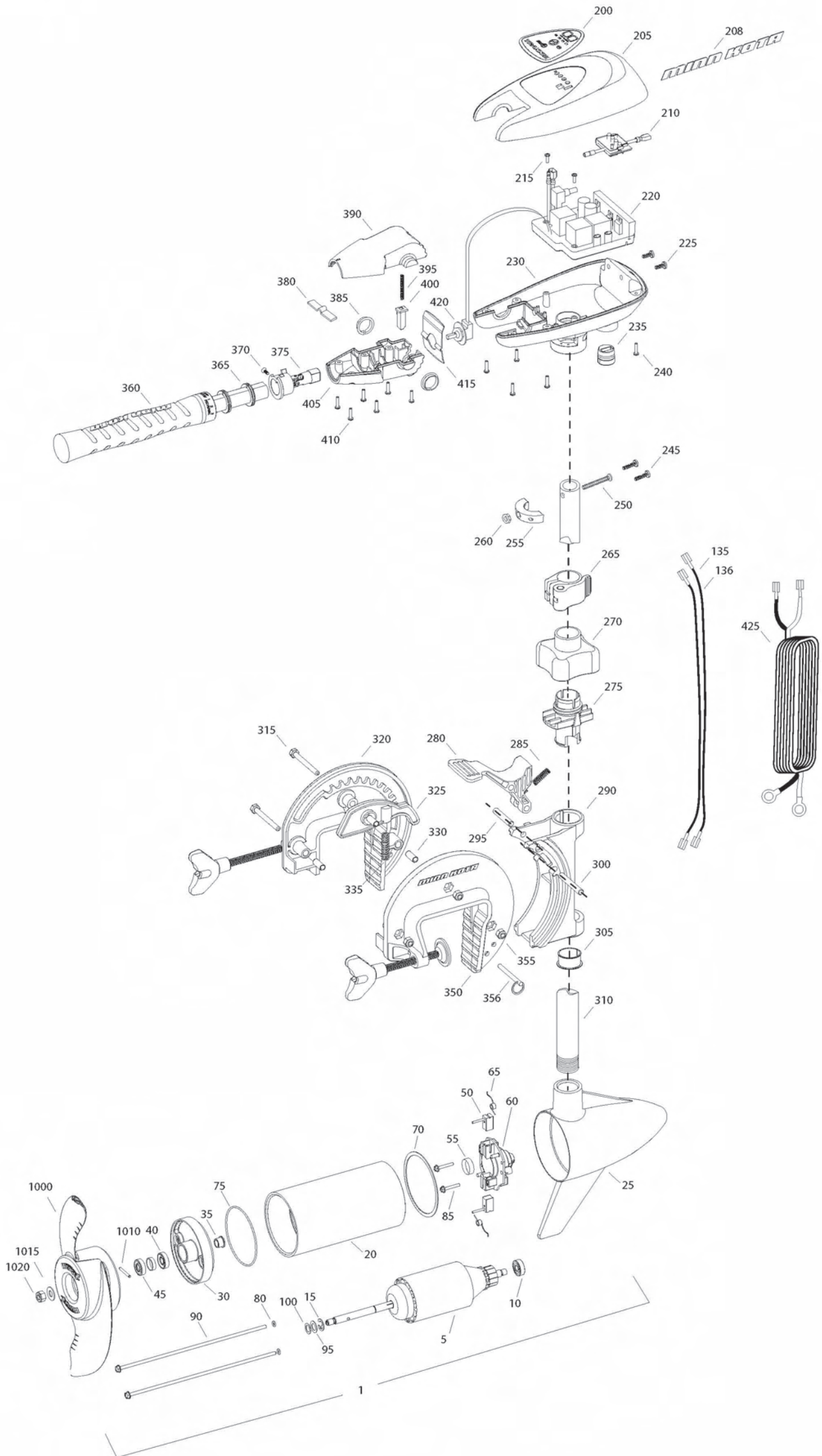


RT55/T
55 LBS THRUST
12 VOLT 50 AMPS
36" & 42" SHAFT

for use with "L" serial numbers
2-year warranty



Item	P/N	Description	Qty	Item	P/N	Description	Qty	Item	P/N	Description	Qty
1	2097096	12V Motor 42" SW	1	■	2991797	Bracket assy, Composite [270-356]	1	■	1378170	Propeller kit	
5	2-100-121	Armature assembly	1	270	2060100	Knob, steering tension, soft	1	1000	2091170	Propeller	1
10	140-010	Bearing	1	275	2068400	Collet	1	1010	2092600	Drive pin, small	1
15	788-015	Retaining ring	1	280	2064200	Lock arm	1	1015	2151726	Washer, prop, small	1
20	2-200-301	Center housing assembly	1	285	2062701	Spring, lock arm	1	1020	2198400	Nut, nylock, prop, Anode	1
25	421-336	Brush end housing assembly	1	290	2061821	Hinge	1				
30	2-400-337	Plain end housing assembly	1	295	2062603	Pin, lock, ss	1				
35	144-049	Flange bearing	1	300	2062603	Pin, lock, ss	1				
40	880-003	Seal	1	305	2037301	Bushing, hinge	1				
45	880-006	Seal with shield	1	310	2002011	Tube 36"	1				
50	188-036	Brush	2		2002012	Tube 42"	1				
55	725-050	Paper tube	1	315	2063501	Bolt 1/4-20 x 2 3/8", ss	3				
60	738-036	Brush plate assembly	1	320	2771950	Bracket, right, FW	1				
65	975-040	Brush spring	2	325	2067905	Cam deactivator	1				
70	337-036	Gasket	1	330	2067306	Bushing, dowel 1/4 x 1/2	3				
75	701-081	O-ring, motor	1	335	2062700	Spring, cam deactivator	1				
80	701-008	O-ring, thru-bolt	2	■	2881380	Clamp screw kit	2 per kit				
85	830-007	Screw, 8-32	2	350	2771955	Bracket, left, FW	1				
90	830-042	Thru-bolt	2	355	2263103	Nut, 1/4-20, nylock, ss	3				
95	990-067	Washer, steel	2	356	2062604	Pin, stop	1				
100	990-070	Washer, nylatron	2								
135	640-002	Leadwire, black	1	■	2990957	Handle assy, [360-410]	1				
136	640-113	Leadwire, red	1	360	2990456	Grip/handle assy, [360-375]	1				
■	2888460	Seal and O-ring Kit		365	2060015	Bearing, handle	2				
				370	2063405	Screw, #6 PFH SS	1				
200	2195654	Decal, c-box cover	1	375	2884092	Yoke / spider assy	1				
205	2060296	C-box cover	1	380	2302742	Spring, detent, off	1				
208	2325666	Decal - MinnKota	2	385	2060005	Bearing, handle pivot	2				
210	2074080	Battery meter, 12v SW	1	390	2060900	Handle pivot, top	1				
215	2043427	Screw, #8 x 7/8 SS	2	395	2302745	Spring, release button	1				
220	2184006	Control board, 12v	1	400	2063700	Button, release	1				
225	2303434	Screw, #8-30 x 5/8 SS	2	405	2060905	Handle pivot, bottom	1				
230	2062503	Control box, VARS, SW	1	410	2303412	Screw, #6 x 5/8 SS	6				
235	2062905	Strain relief	1	420	2061700	Washer, pot holder	1				
240	2303412	Screw, #6 x 5/8 SS	6	415	2062715	Spring, handle pivot	1				
245	2263434	Screw, #8 x 1 SS	2	425	2992524	Leadwire assy, includes [235]	1				
250	2263406	Screw, #10-24 x 2 SS	1								
255	2061517	Collar, c-box	1								
260	2333101	Nut, 10-24, nylock, SS	1								
265	2991521	Cam lock/depth collar assy	1								

* This item is part of an assembly. This item cannot be sold separately due to machining and /or assembly that is required.

P/N 2094916 REV. J ECN 32822 12-10

12-24-36 VOLT VARIABLE SPEED MODELS

THIS IS A UNIVERSAL MULTI-VOLTAGE DIAGRAM. DOUBLE CHECK YOUR MOTORS VOLTAGE FOR PROPER CONNECTIONS

RT55 is 12-volt only!

